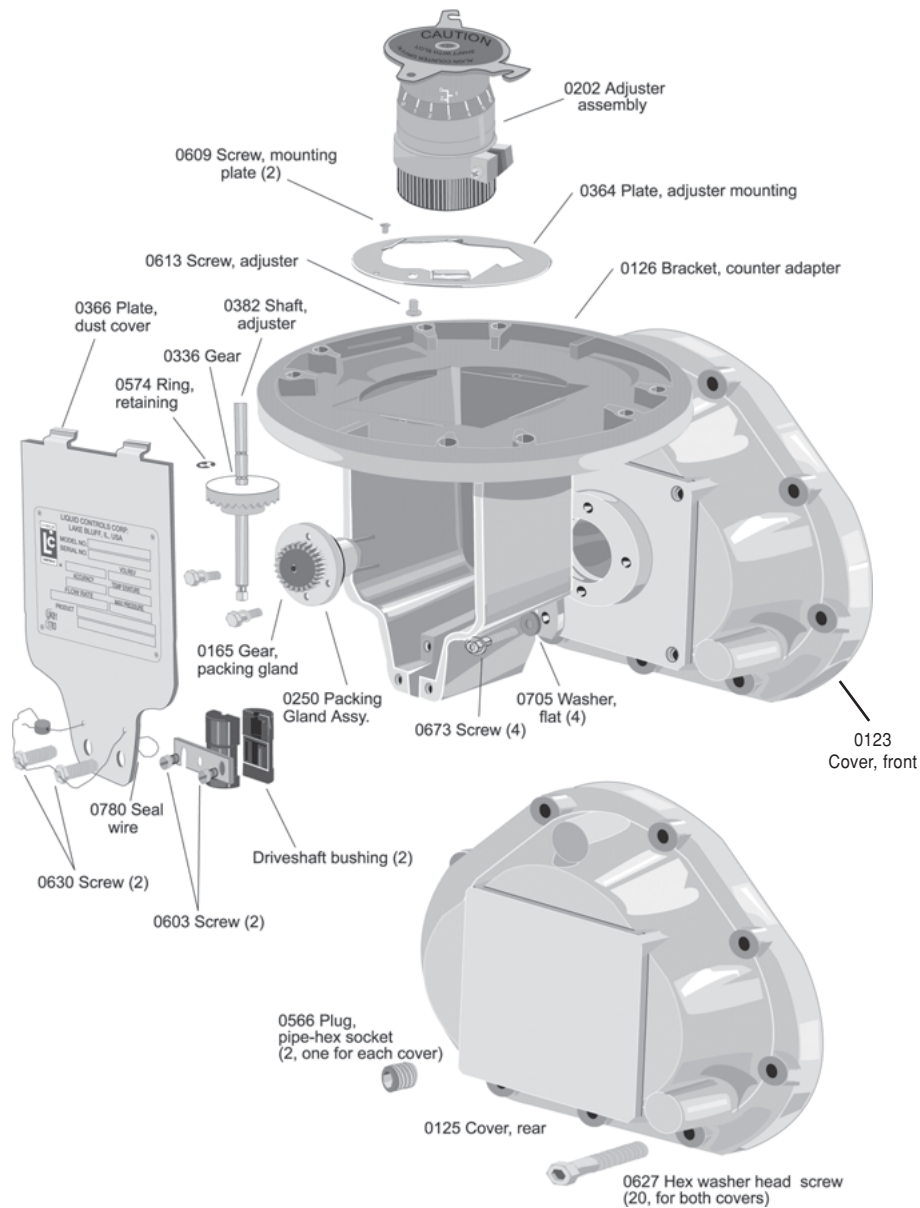


MA-4, MA-5 AND MA-7 METER COVERS

MA-4, MA-5 and MA-7 Meter Covers

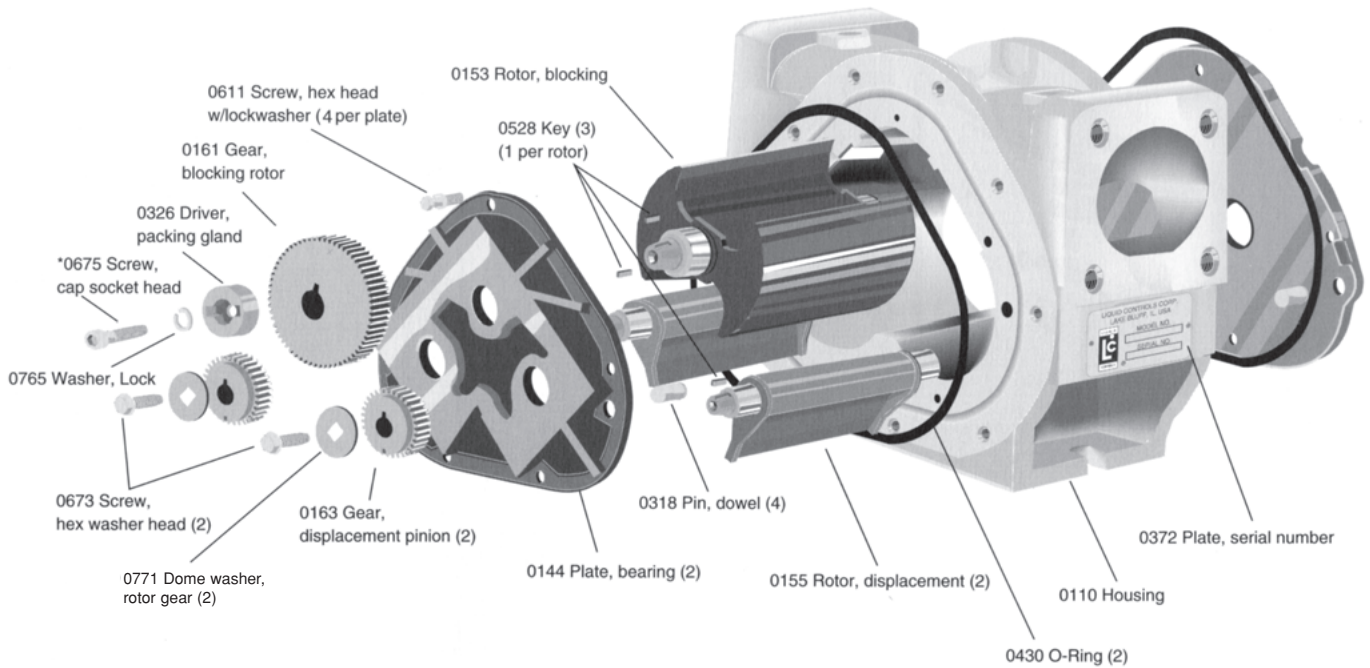


Ordering Information

Reference No.	MA-7	MA-4, MA-5	Quantity	Description
0202	49403	49043	1	Adjuster
0126	49434	49434	1	Bracket, Counter Adapter
0382	48287	48287	1	Shaft Adjuster
0574	2188	2188	1	Retaining Ring
0336	40122	40122	1	Gear
0250	49561	49561	1	Packing Gland Assy
0383	41786	41786	2	Driveshaft Bushing - Half
0125	48302	48273	1	Rear Cover
0123	48301	48272	1	Front Cover

MA-4, MA-5, MA-7 METER HOUSINGS

Liquid Controls MA-4, MA-5 and MA-7 Meter Housing



Ordering Information

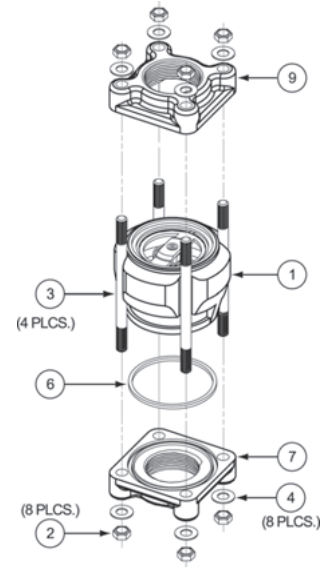
Reference No.	MA-7	MA-4, MA-5	Description
0153	48927 (1)	501136 (1)	Blocking Rotor Assy
0155	48927 (2)	48078 (2)	Displacement Rotor
0144	47668 (2)	—	Bearing Plate
0163	47647 (2)	48089 (2)	Pinion Gear
0161	47646 (1)	48090 (1)	Blocking Rotor Gear
0771	48348 (2)	48319 (2)	Washer Rotor Gear
0673	9027 (2)	9110 (3)	Screw Hex Head
0675	7483 (1)	00306 (1)	Screw Socket Head
0528	48332 (3)	48345 (3)	Key
0611	9079 (6)	9079 (8)	Screw Hex Head
0430	9258 (2)	—	O-Ring
—	L2321 (1)	L1610 (1)	Element Complete
—	—	47671 (1)	Front Bearing Plate
—	—	47670 (1)	Rear Bearing Plate

MA STYLE BACK CHECK VALVES AND STRAINER ASSEMBLY

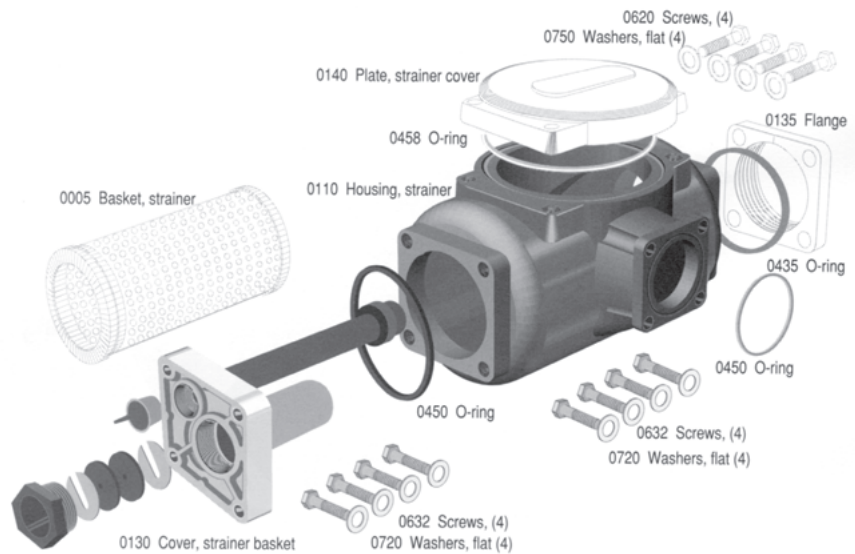
Back Check Valves

Ordering Information

Reference No.	Item Number	Description	Qty.
5	04262	Thread Protector 2-11.5 NPT, FLEXTMP GRN	2
4	04498	Flat Washer, .406 ID .812 OD X .062 THK	8
2	06055	NUT, .375-16 HEX	8
6	06854	O-Ring, 2.88 ID BUNA-N UL 3.12 OD X .12 DIA WALL	1
9	41075	Flange, Comp; 2.00" NPT NOD IRON, Flat Gasket	1
7	42796	Flange, Comp; 2.00" NPT NOD IRON, O-Ring, LP-Gas	1
1	48190	2" Check Valve Assy, LPG w/Press RLF, 90-100 PSI	1
3	48192	STUD 3/8-16 x 5-3/4	4
8	48243	Label, Decal UL Listed Check Valve	1
800	48905	Manual, Valve; Diff LPG & NH3 (LC-435)	1



Strainer Assembly



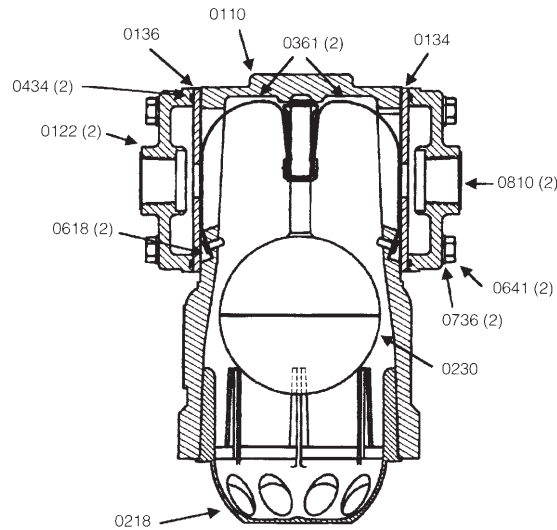
Ordering Information

Reference No.	Item Number	Quantity	Description
0005	A2439	1	Strainer Basket 200 Mesh
0458	6847	1	O-Ring, 4.75 ID Buna-N
0453	7838	1	O-Ring
0450	6844	1	O-Ring, 2.62 ID Buna-N
7130	45420	1	Thermometer Well
—	45424	1	Thermowell Cap
—	42419	2	Washer
—	42418	1	Disc

MA STYLE VAPOR ELIMINATOR AND DIFFERENTIAL VALVE

LC

Vapor Eliminator



Ordering Information

Reference No.	Item Number	Quantity	Description
0230	48695	1	Float and Reed Assembly
0361	48571	2	Reed Plate
0136	42824	1	Valve Plate, Limited Bleed
0134	42822	1	Valve Plate
0434	42823	2	O-Ring Gasket

Differential Valve Replacement Parts

Ordering Information

Reference No.	Item Number	Description	Qty.
610	04655	Screw, .312-18 X 1.25 HEX HD CAP, GR 5	12
720	06070	Lock Washer, .531 Spring	1
335	06856	O-Ring, .88 ID BUNA-N; UL 1.12 OD X .12 DIA WALL	1
340	07900	O-Ring, .50 ID BUNA-N .69 OD X .09 DIA WALL	1
124	47302	Cover, Valve 2" Diaphragm Differential	1
235	47305	Spring, Compression Spring Diaphragm	1
325	47306	Diaphragm Diaphragm LPG	1
245	47307	Retainer, Spring Retainer-Spring V7	1
255	47308	Plate, Back-Up Plate Back Up V7 S	2
265	47309	Stand-Off, Male to Female 1/2-13 UNC to 3/8-16 UNC	1
225	48145	Shaft, Piston Guide Diaphragm Valve	1
130	49947	Piston, Overmolded; BUNA 2" Diff & Block Valves	1
110	49945	Housing, Valve; Machined 2" Block Valve	1
710	09360	Flat Washer, .344 ID .688 OD, .063 THK, HRDND	12

