

NEPTUNE METERS AND REPLACEMENT PARTS

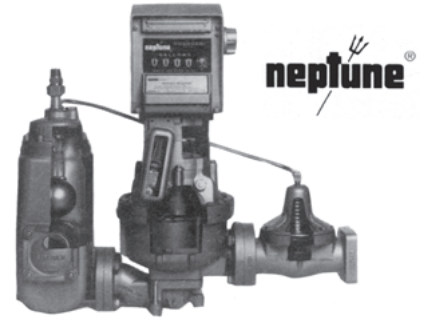
Neptune Type 4D-MT

Application

Neptune 2" Type 4D-MT aluminum liquid meter for bulk trucks and plants. Standard meter comes with ticket print register and ATC - temperature compensating unit. Total redesign includes a larger vapor release, 33% reduced weight and improved reliability.

Ordering Information

Item Number	Size	Capacity	ATC	Register
RL 20021 (R or L) GD2	2"	20-100 GPM	Yes	Print
RL 15021 (R or L) GD1	1-1/2"	12-60 GPM	Yes	Print

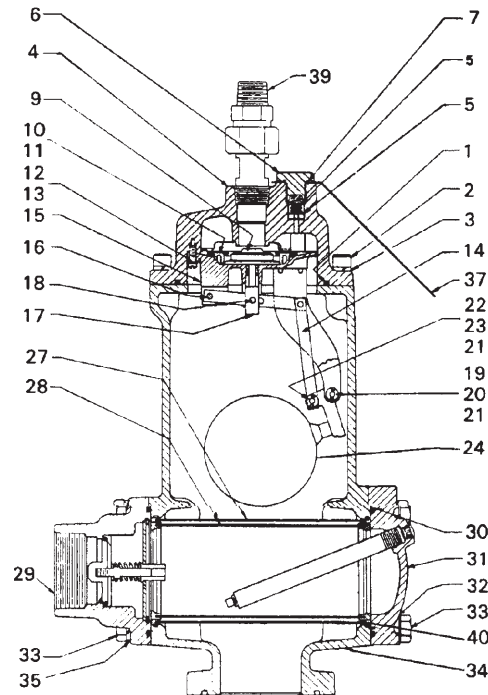


Vapor Release and Strainer

Ordering Information

Reference No.	Description	Item Number	
		1-1/4, 1-1/2	2"
1	O-Ring 4.25 ID Buna-N	100139-022	100139-022
5	Bypass Valve Assy	100237-001	100237-001
9	Main Valve	89274-006	89274-006
10	Vapor Release Sleeve	82446-005	82446-005
11	Seal Piston	83179-000	83179-000
14	Float Assy Complete	86797-001	86798-001
19	Float Pin	40820-003	40820-003
24	Float Ball	82476-001	82476-001
28	Strainer Basket	101433-704	101405-004
29	Inlet Check Valve	84983-704	84813-702
30	O-Ring 3.75 ID Buna-N	—	84818-000
39	Vapor Return Check Valve	84828-000	84828-000

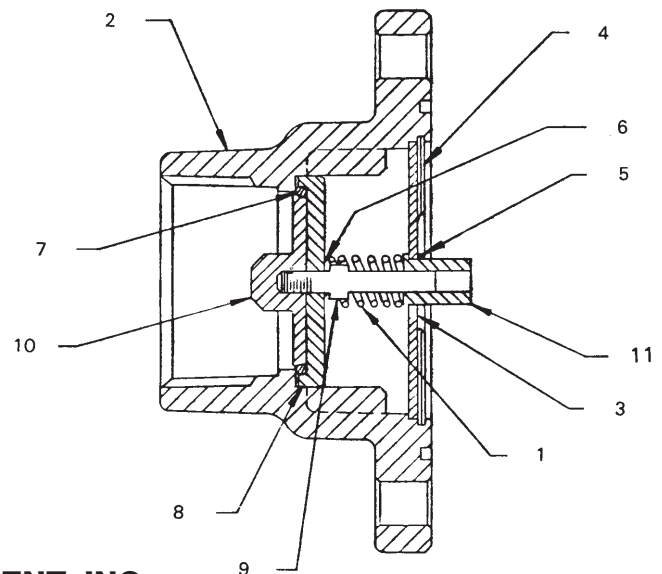
NOTE: Other parts available. Call for details.



1-1/4", 1-1/2" and 2" Inlet Check Replacement Parts

Ordering Information

Reference No.	Description	Item Number	
		1-1/4, 1-1/2	2"
1	Spring	83492-000	83492-000
3	Strap, Inlet	—	84816-001
4	Ring, Retaining	—	84817-000
5	Ring, Retaining, Truarc	86071-000	86071-000
6	Washer, Lock	100121-009	100121-009
7	"O" Ring	—	100139-032
8	Holder	—	100374-002
9	Shaft	100896-001	100896-001
10	Retainer	—	100898-001
11	Bearing	100899-001	100899-001



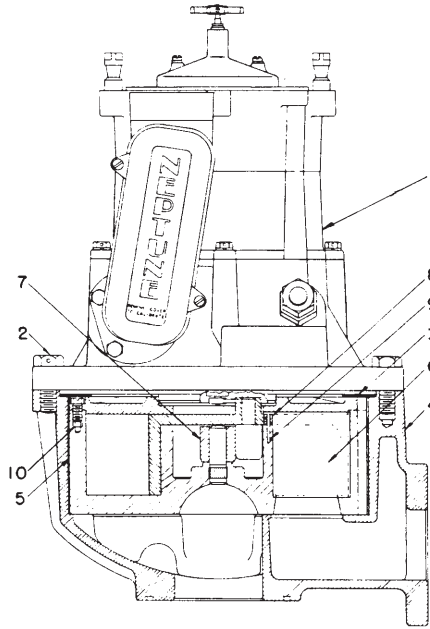
NEPTUNE METER REPLACEMENT PARTS

Neptune Meter with Temperature Compensator

Ordering Information

Reference Number	Description	1-1/4	1-1/2	2
1	Adapter	1002043	1002043	1002043
3	Main Case Gasket	4862-008	4862-008	84806-000
5	Meas. Chamber Complete	43260-101	83271-101	45806-101
6	Chamber Diaphragm	43271-000	83277-000	42312-001
—	Gear Train	83501-000	84981-000	83502-000

NOTE: Other parts available. Call for details.

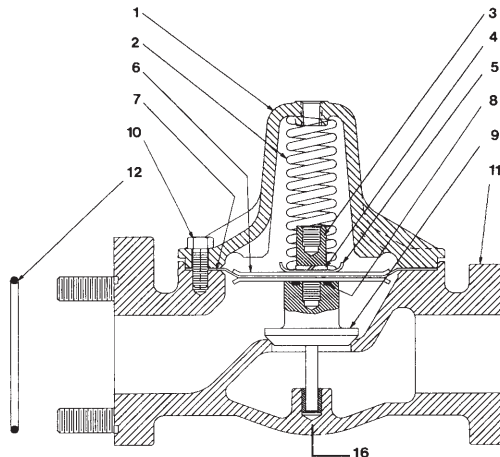


Neptune Differential Valve

Ordering Information

Reference Number	Description	1-1/4, 1-1/2	2
3	Screw Diaphragm	83774-002	83774-002
7	Diaphragm	83771-002	1000624
8	O-Ring Gasket	100139-001	100139-001
9	Valve Stem Assembled	83768-002	83927-002
12	Gasket Flange	82060-000	84818-000

NOTE: Other parts available. Call for details.

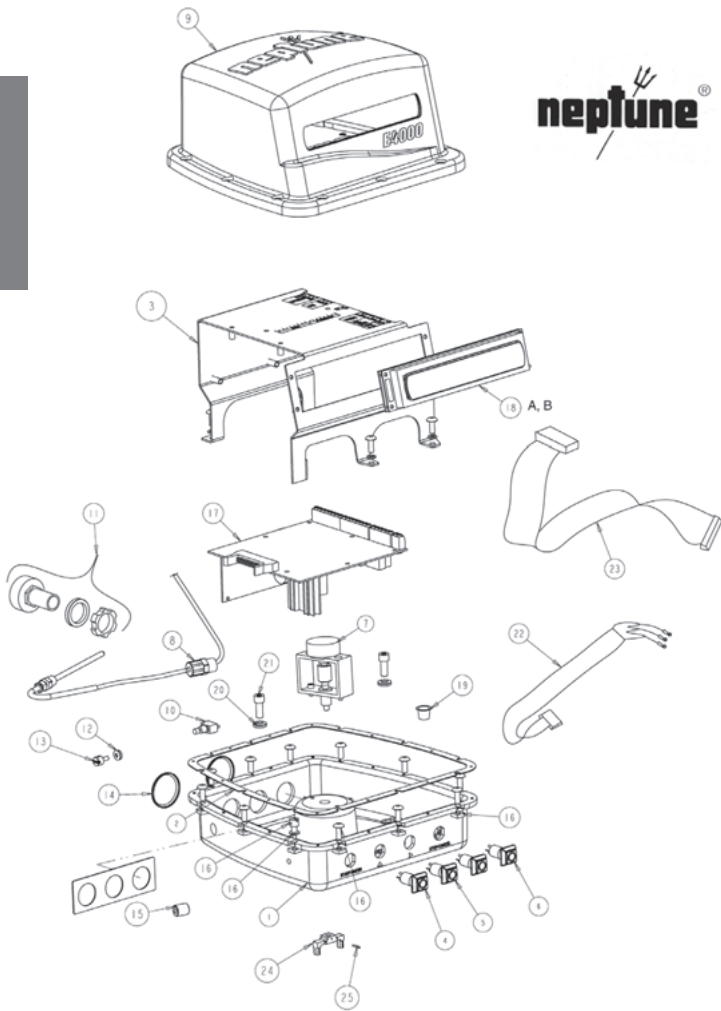


NEPTUNE E4000

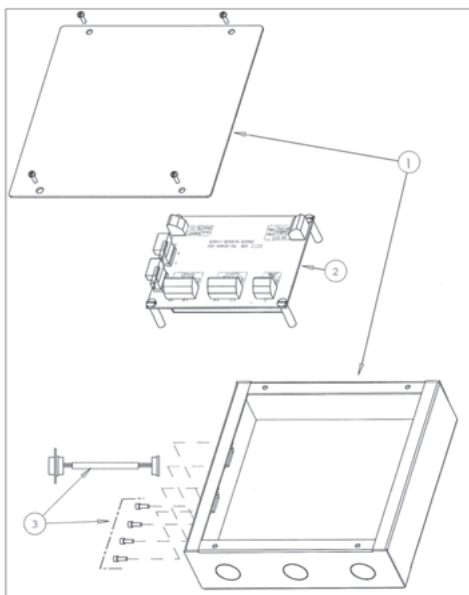
E4000

Measurement systems for the Future, from the trusted name in metering ... Neptune®. The New Wave in Electronic Registers.

Neptune



Index	Description	Item Number	Qty
1	ASM Base Housing	1002356	1
2	Gasket Main	1002357	1
3	Bracket	1002360	1
4	Button—Green	1002361-3	1
5	Button—White	1002361-1	2
6	Button—Red	1002361-2	1
7	Encoder Kit	600053-000	1
8	RTD Probe	600045-005	1
9	ASM Top Cover	1002355	1
10	Switch W&M	1003001	1
11	Strain Relief 1/2"	600069-001	1
12	Washer	100093-003	1
13	Seal Screw	009287-013	1
14	Hole Cover 1/2"	1003023	2
15	Hex Socket Pipe Plug	600047-001	1
16	Cover Fastener Kit	600052-000	1
17	PCB Main Board	1002358	1
18A	Display ASM	1002359	1
18B	Display ASM For Heated Display	600234-000	1
19	Caplug	600046-001	1
20	Seal Washer	100093-001	2
21	Mounting Screw	083784-000	2
22	Cable Serial Port	1003022	1
23	Cable Main PCB Display	1003021	1
24	Drive Fork	088589-001	1
25	Roll Pin	100370-003	1
Not shown	UL Approval Bonding Bracket	600077-000	1



E4000 System

E4000

Index	Description	Item Number	Qty
1	Junction Box Encl w/Lid & screws	600054-000	1
2	Junction Box PCB	600033-001	1
3	Serial Cable Kit	600055-000	2
Not shown	Printer Power Cable	600043-001	1
Not shown	Strain Relief 1/4"	600069-000	2
Not shown	Strain Relief 1/2"	600069-001	1

LIQUA-TECH METER

3/4" Liqua-Tech Meter



Ordering Information

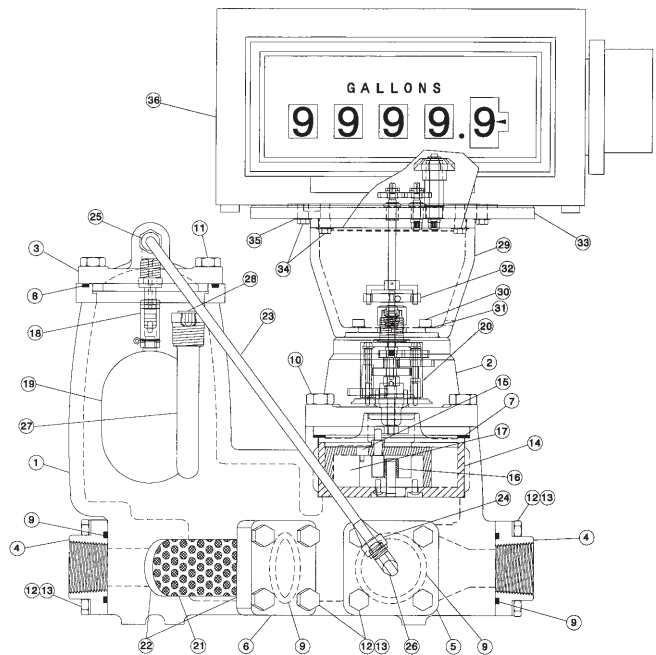
Item Number	Size	Capacity	Temp. Comp.	Register
90534-100	3/4"	3-18 GPM	No	D1111*

* Must order D1111 register separately.

Parts List for 3/4" Liqua-Tech Meter

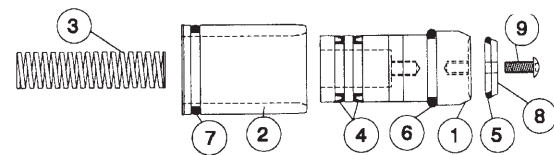
Ordering Information

Index Number	Description	Item Number
1	Main Case Housing	400027-001
2	Cover, Main Case	87173-710
3	Cover, Vapor Eliminator	87193-710
4	Flanges, Inlet/Outlet	87180-710
5	Flange, Differential Valve	87179-710
6	Flange, Strainer	400025-01
7	Gasket, Main Case	4861-016
8	O-Ring, Vapor Eliminator Flange	100139-012
9	O-Ring, Inlet/Outlet Flange	100139-007
10	Bolt, Hex Head, 7/16 NC x 1-1/4 Drilled	40237-005
10	Bolt, Hex Head, 7/16 NC x 1-1/4 Undrilled	40237-004
11	Bolt, Hex Head, 3/8 NC x 1	100067-027
12	Bolt, Hex Head, 5/16 NC x 1	100063-026
13	Lockwasher, Split, 5/16	100121-010
14	Measuring Chamber	42075-101
15	Seal Pin	42792-000
16	Roller, Control	42086-010
17	Diaphragm	42791-000
18	Vapor Return Valve	87190-000
19	Float	87189-001
20	Gear Train, 43.5 Ratio, U.S. Gal.	80905-017
21	Strainer, 80 Mesh	101738-001
22	O-Ring, Strainer Endcaps	100139-006
23	Tube Assembly, Vapor Release	87196-001
24	Nut, Flared	87198-000
25	Male Connector, 1/8 NPT x 1/4 Tube	84826-100
26	90° Elbow, 1/8 NPT x 1/4 Tube	87195-000
27	Thermowell	86666-702
28	Cover, Thermowell	83732-000
29	Register Adapter Tower	886150-000
30	Sockethead Screws, 10-32 x 3/8	88524-010
31	Lock Washers, Split, #10	41211-000
32	Star Drive, with Set Screw	82976-001
33	VRA-101 Register Gear Plate Adapter (w/o Temp. Comp.)	886101-001
34	Cap Screws, 1/4-28 x 5/8 Drilled	100061-101
34	Cap Screws, 1/4-28 x 5/8 Undrilled	100061-100
35	Lock Washers, Ext. 1/4	100123-100



Liqua-Tech

Differential Valve Assembly



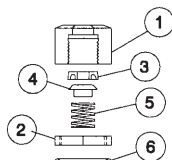
Ordering Information

Index Number	Description	Item Number
	Assembly w/ Soft Seat	100028-011
1	Piston, Differential Valve	100160-040
2	Sleeve	100027-010
3	Spring	100024-001
4	U-Cup Seals (2)	100025-008
5	O-Ring, Primary	100025-102
6	O-Ring Secondary	100025-101
7	O-Ring, Sleeve	100139-006
8	Seat Retainer	100160-050
9	10-32 x 1/2" S.S. Button Head Screw	41750-010

Stuffing Box Assembly

Ordering Information

Index Number	Description	Item Number
1	Stuffing Box Nut w/Bushing	83536-000
2	Clamp Nut	00034-000
3	U-Cup Seal	100025-002
4	U-Cup Expander	83539-000
5	Spring, Stuffing Box	83540-000
6	O-Ring, Gear Train	100138-003



• 800-621-4137 •