

# NEPTUNE METERS AND REPLACEMENT PARTS

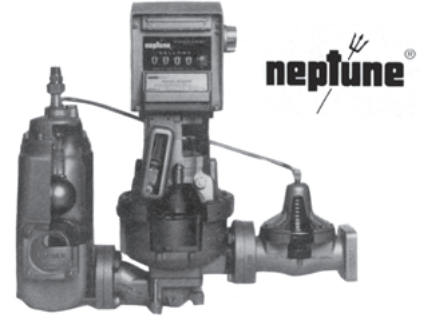
## Neptune Type 4D-MT

### Application

Neptune 2" Type 4D-MT aluminum liquid meter for bulk trucks and plants. Standard meter comes with ticket print register and ATC - temperature compensating unit. Total redesign includes a larger vapor release, 33% reduced weight and improved reliability.

### Ordering Information

Item Number	Size	Capacity	ATC	Register
RL 20021 (R or L) GD2	2"	20-100 GPM	Yes	Print
RL 15021 (R or L) GD1	1-1/2"	12-60 GPM	Yes	Print

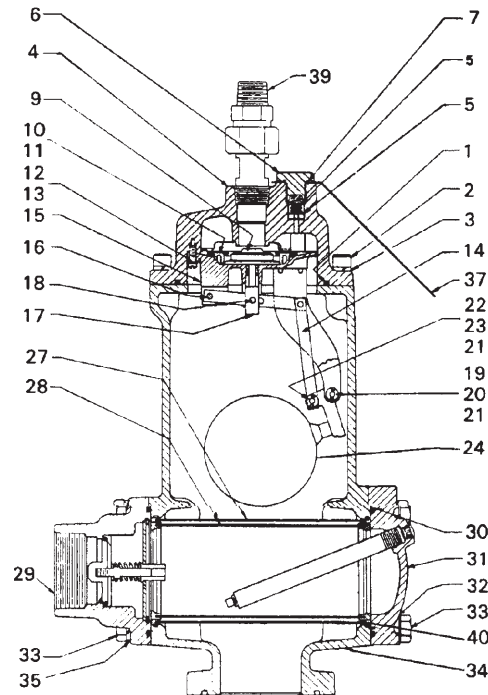


## Vapor Release and Strainer

### Ordering Information

Reference No.	Description	Item Number	
		1-1/4, 1-1/2"	2"
1	O-Ring 4.25 ID Buna-N	100139-022	100139-022
5	Bypass Valve Assy	100237-001	100237-001
9	Main Valve	89274-006	89274-006
10	Vapor Release Sleeve	82446-005	82446-005
11	Seal Piston	83179-000	83179-000
14	Float Assy Complete	86797-001	86798-001
19	Float Pin	40820-003	40820-003
24	Float Ball	82476-001	82476-001
28	Strainer Basket	101433-704	101405-004
29	Inlet Check Valve	84983-704	84813-702
30	O-Ring 3.75 ID Buna-N	—	84818-000
39	Vapor Return Check Valve	84828-000	84828-000

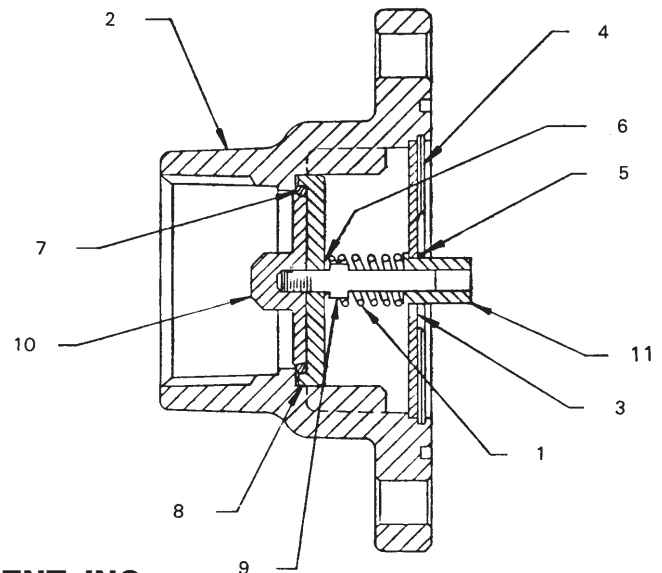
NOTE: Other parts available. Call for details.



## 1-1/4", 1-1/2" and 2" Inlet Check Replacement Parts

### Ordering Information

Reference No.	Description	Item Number	
		1-1/4, 1-1/2"	2"
1	Spring	83492-000	83492-000
3	Strap, Inlet	—	84816-001
4	Ring, Retaining	—	84817-000
5	Ring, Retaining, Truarc	86071-000	86071-000
6	Washer, Lock	100121-009	100121-009
7	"O" Ring	—	100139-032
8	Holder	—	100374-002
9	Shaft	100896-001	100896-001
10	Retainer	—	100898-001
11	Bearing	100899-001	100899-001



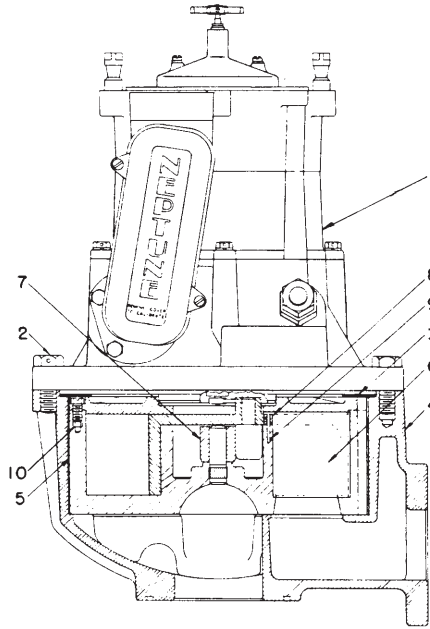
# NEPTUNE METER REPLACEMENT PARTS

## Neptune Meter with Temperature Compensator

### Ordering Information

Reference Number	Description	1-1/4	1-1/2	2
1	Adapter	1002043	1002043	1002043
3	Main Case Gasket	4862-008	4862-008	84806-000
5	Meas. Chamber Complete	43260-101	83271-101	45806-101
6	Chamber Diaphragm	43271-000	83277-000	42312-001
—	Gear Train	83501-000	84981-000	83502-000

NOTE: Other parts available. Call for details.



## Neptune Differential Valve

### Ordering Information

Reference Number	Description	1-1/4, 1-1/2	2
3	Screw Diaphragm	83774-002	83774-002
7	Diaphragm	83771-002	1000624
8	O-Ring Gasket	100139-001	100139-001
9	Valve Stem Assembled	83768-002	83927-002
12	Gasket Flange	82060-000	84818-000

NOTE: Other parts available. Call for details.

