

LIQUA-TECH METER

3/4" Liqua-Tech Meter



Ordering Information

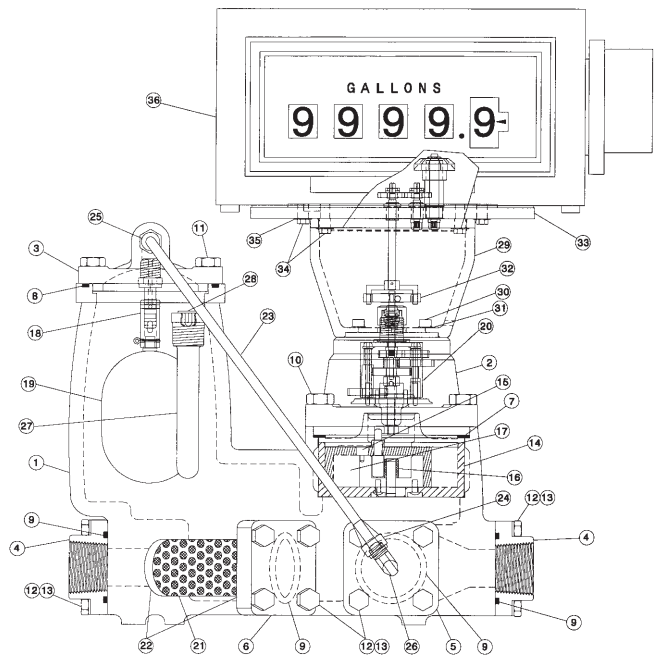
Item Number	Size	Capacity	Temp. Comp.	Register
90534-100	3/4"	3-18 GPM	No	D1111*

* Must order D1111 register separately.

Parts List for 3/4" Liqua-Tech Meter

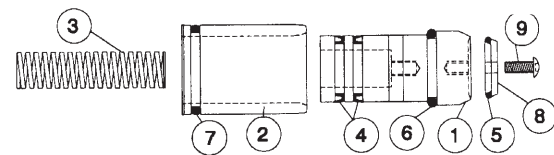
Ordering Information

Index Number	Description	Item Number
1	Main Case Housing	400027-001
2	Cover, Main Case	87173-710
3	Cover, Vapor Eliminator	87193-710
4	Flanges, Inlet/Outlet	87180-710
5	Flange, Differential Valve	87179-710
6	Flange, Strainer	400025-01
7	Gasket, Main Case	4861-016
8	O-Ring, Vapor Eliminator Flange	100139-012
9	O-Ring, Inlet/Outlet Flange	100139-007
10	Bolt, Hex Head, 7/16 NC x 1-1/4 Drilled	40237-005
10	Bolt, Hex Head, 7/16 NC x 1-1/4 Undrilled	40237-004
11	Bolt, Hex Head, 3/8 NC x 1	100067-027
12	Bolt, Hex Head, 5/16 NC x 1	100063-026
13	Lockwasher, Split, 5/16	100121-010
14	Measuring Chamber	42075-101
15	Seal Pin	42792-000
16	Roller, Control	42086-010
17	Diaphragm	42791-000
18	Vapor Return Valve	87190-000
19	Float	87189-001
20	Gear Train, 43.5 Ratio, U.S. Gal.	80905-017
21	Strainer, 80 Mesh	101738-001
22	O-Ring, Strainer Endcaps	100139-006
23	Tube Assembly, Vapor Release	87196-001
24	Nut, Flared	87198-000
25	Male Connector, 1/8 NPT x 1/4 Tube	84826-100
26	90° Elbow, 1/8 NPT x 1/4 Tube	87195-000
27	Thermowell	86666-702
28	Cover, Thermowell	83732-000
29	Register Adapter Tower	886150-000
30	Sockethead Screws, 10-32 x 3/8	88524-010
31	Lock Washers, Split, #10	41211-000
32	Star Drive, with Set Screw	82976-001
33	VRA-101 Register Gear Plate Adapter (w/o Temp. Comp.)	886101-001
34	Cap Screws, 1/4-28 x 5/8 Drilled	100061-101
34	Cap Screws, 1/4-28 x 5/8 Undrilled	100061-100
35	Lock Washers, Ext. 1/4	100123-100



Liqua-Tech

Differential Valve Assembly



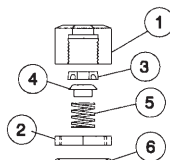
Ordering Information

Index Number	Description	Item Number
	Assembly w/ Soft Seat	100028-011
1	Piston, Differential Valve	100160-040
2	Sleeve	100027-010
3	Spring	100024-001
4	U-Cup Seals (2)	100025-008
5	O-Ring, Primary	100025-102
6	O-Ring Secondary	100025-101
7	O-Ring, Sleeve	100139-006
8	Seat Retainer	100160-050
9	10-32 x 1/2" S.S. Button Head Screw	41750-010

Stuffing Box Assembly

Ordering Information

Index Number	Description	Item Number
1	Stuffing Box Nut w/Bushing	83536-000
2	Clamp Nut	00034-000
3	U-Cup Seal	100025-002
4	U-Cup Expander	83539-000
5	Spring, Stuffing Box	83540-000
6	O-Ring, Gear Train	100138-003



• 800-621-4137 •