

# EMERGENCY SHUT-OFF VALVES

Rego

## 2" "Swing-Chek" ESVs for Bulk Plants



### Application

Designed for installation in liquid transfer lines at LP-Gas or Anhydrous Ammonia bulk plants to provide for quick shut-off of liquid or vapor flow in the event of an accidental pull-away, line break, or hose rupture.

### Ordering Information

Item Number	For Use Only With:	Inlet and Outlet Connections	Liquid Flow Capacity at 10 PSIG Pressure Drop (GPM)
6016	LP-Gas	2" F. NPT	475 (LP-Gas)
AA6016	NH <sub>3</sub>	2" F. NPT	427 (NH <sub>3</sub> )



6016 and AA6016

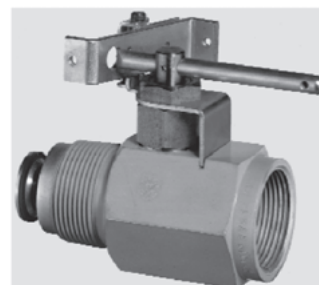
## 1-1/4" ESV for LP-Gas Bulk Plants

### Application

Especially designed for installation in vapor transfer lines at LP-Gas bulk plants to provide for quick shut-off of vapor or liquid flow in the event of an accidental pull-away or hose rupture, both of which can cause a fire.

### Ordering Information

Item Number	For Use With	Inlet Connection M. NPT	Outlet Connection F. NPT	Flow Capacity	
				Vapor At 100 PSIG and 10 PSIG Pressure Drop SCFH	Liquid at 10 PSIG Pressure Drop GPM
A7781AF	LP-Gas and NH <sub>3</sub>	1-1/4"	1-1/4"	26,000	55



A7781AF

## ESV Pneumatic Controls

### Application

RegO® Emergency Shut-Off Valves modified for remote pneumatic shut-down operation retain all the operating features of the standard valves. Once equipped with pneumatic cylinders and then pressurized, the pneumatic cylinder piston rod disengages from a striker plate, allowing the ESV to be manually opened and the striker plate to act as a latch and hold the valve open. Release of the control system pressure for any reason closes the ESV for fail-safe operation.

### Ordering Information

#### 7605APN-1 Pneumatic Conversion Kit for 7605B and A7605B ESV

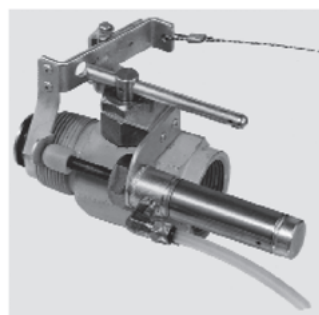
Retrofit conversion kit with components necessary to add pneumatic closing capability to the 2" ESV. Includes pneumatic cylinder, bracket, fuse release assembly and machine screws.

#### 7781AFPN-1 Pneumatic Conversion Kit for 7781AF ESV

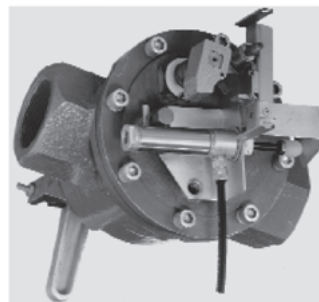
Retrofit conversion kit with components necessary to add pneumatic closing capability to the 1-1/4" ESV. Includes pneumatic cylinder, bracket, striker plate and machine screws.

#### 6016-60D Pneumatic Remote Release Kit for 6016 ESV

This kit is designed to provide remote pneumatic closure for the 6016 ESV. This allows the valve to be latched in the open position, closed manually with ESV handle or closed remotely with the use of pneumatic pressure. Includes a fuse, plug (212 degrees F) that can be attached to a tee and installed at the inlet of the cylinder for thermal protection.



7781AFPN-1



7605APN-1