

ACCESSORIES

Rego

Copper Pigtails - Straight and Bent

Application

Pigtails are available in a variety of connections, sizes and styles. Care should always be taken in selecting the proper pigtail for a particular application.

Note: Engineered Controls International, Inc. recommends a new pigtail be installed with every new and replaced regulator.



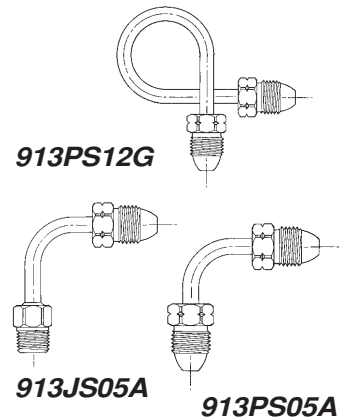
912 and 913 Series

Straight Pigtails Ordering Information

Connection	Approximate Length	Item Number		
		1/4" Tube		3/8" Tube
		7/8" Hex Short Nipple	1-1/8" Hex Long Nipple	7/8" Hex Short Nipple
M. POL x M. POL	5"	—	—	913PS05
M. POL x M. POL	12"	912PS12	—	913PS12
M. POL x M. POL	20"	912PS20	912PA20	913PS20
M. POL x M. POL	30"	912PS30	—	913PS30
M. POL x M. POL	36"	912PS36	912PA36	913PS36
M. POL x M. POL	48"	912PS48	912PA48	913PS48
1/4" Inverted Flare x M. POL	12"	912FS12	—	—
1/4" Inverted Flare x M. POL	20"	912FS20	912FA20	—
1/4" Inverted Flare x M. POL	30"	912FS30	—	—
1/4" Inverted Flare x M. POL	36"	912FS36	—	—
1/4" M. NPT x M. POL	5"	—	—	913JS05
1/4" M. NPT x M. POL	12"	912JS12	—	—
1/4" M. NPT x M. POL	20"	912JS20	—	—
1/4" M. NPT x M. POL	36"	912JS36	—	—
1/2" M. NPT x M. POL	12"	—	—	913LS12
1/2" M. NPT x 3/8" M. POL	12"	—	—	913KL12

Bent Pigtails Ordering Information

Connections	Approximate Length	Item Number		Type/Degree of Bend
		3/8" Tube	7/8" Hex Short Nipple	
1/4" M. NPT x M. POL	5"	913JS05A	—	90°
M. POL x M. POL	5"	913PS05A	—	90°
M. POL x M. POL	12"	913PS12G	—	270° Right Hand
M. POL x M. POL	12"	913PS12H	—	270° Left Hand
M. POL x M. POL	12"	913PS12S	—	360°



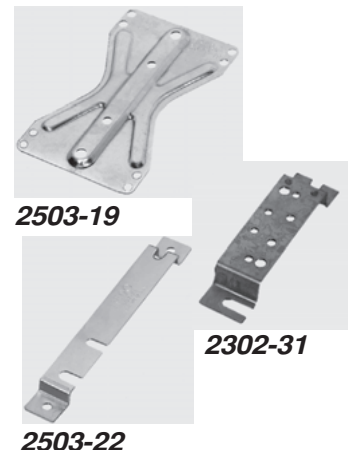
Brackets

Application

RegO® Brackets are specially designed for use in installing RegO® Regulators in applications requiring the use of a bracket.

Ordering Information

Item Number	Material	For Use With Regulator Model:
2302-31	Cadmium Plated Steel	2302 Series/404B23/LV3403TRV9
2503-22	Cadmium Plated Steel	LV404 Series, 5503, LV4403 Series
2503-19	Aluminum	LV404 Series, 5503, LV4403 Series
3303-32	Cadmium Plated Steel	LV3303TR Series



Inlet Fittings

Application

These inlet fittings are available for assembly into either first stage of single stage regulators. All have 1/4" M. NPT connections and are machined from brass.

Ordering Information

Item Number	Description
970	Hard Nose POL with Wrench Nut
970AX	Hard Nose POL with Wrench Nut and Excess Flow
970AXS	Soft Nose POL with Wrench Nut and Excess Flow
3199W	Heavy Duty Hard Nose POL with Wrench Nut and Excess Flow
970AW	Soft Nose POL with Handwheel
970HT	Soft Nose POL with Handwheel and 60 DMS Orifice
970S	Soft Nose POL with Wrench Nut and 60 DMS Orifice



Item Number	Description
G1653	1/4" MPT x Excess Flow Soft Nose POL with Handwheel
G-1654	1/4" MPT Soft Nose POL with Handwheel
HC5930	POL x 1/4" Barb, 7/8" Hex
G1689	9/16" x 18 LH x Excess Flow POL 7/8" Hex Nut
G1650	9/16" x 18 LH x Full Flow POL 7/8" Hex Nut
G1656	Soft Nose POL with Handwheel x 1/4" Hose (7) Barb
G1655	Excess Flow Soft Nose POL with Handwheel x 1/4" Hose (7) Barb
AM-345	POL x 1/4" M. NPT Angle Inlet Adapter



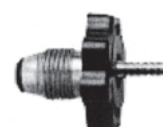
G1653



HC5930



G1689



G1656



AM-345

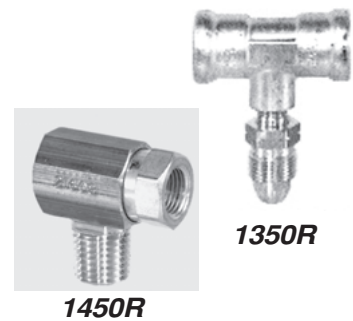
Tee Check Manifolds

Application

For use in systems that require uninterrupted gas service during cylinder exchange especially for summer cottages, mobile homes and single appliance loads. Floating disc check minimizes discharge of gas to the atmosphere when empty cylinder is being replaced.

Ordering Information

Item Number	Inlet Connections	Outlet Connection
1350R	F. POL	M. POL
1450R	1/4" Inverted Flare	1/4" M. NPT



Multiple Cylinder Manifolds

Application

Use with suitable pigtailed to connect multiple cylinders together. Ideal for loads that require more than one cylinder to be in service at a time. Provides a three-way tee function without an internal disc check.

Ordering Information

Item Number	Inlet Connection	Outlet Connection
1350E	F. POL	M. POL



1350E